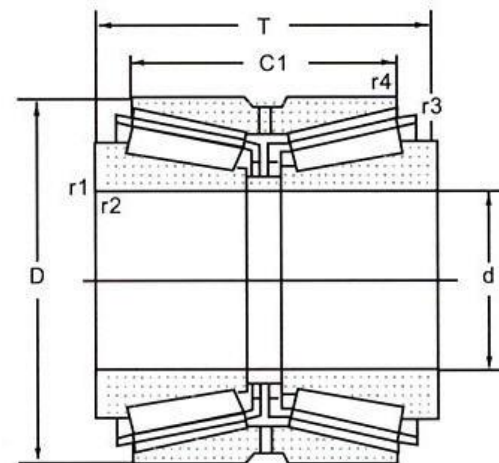


Double Row Tapered Roller Bearing With Two-piece Outer Ring(Inch Series)



Bearing Numbers	Boundary dimensions(mm)				Design	Abutment and fillet dimensions(mm)				Value				Weight(kg)
	d	D	T	B		$d_{a \min}$	$D_{b \max}$	$r_{b \max}$	$r_{a \max}$	e	Y_1	Y_2	Y_0	Refer
868D/854	101.6	190.5	127	117.475	1	113	168	1.6	3.2	0.33	2	3	2	14.5
868D/854X	101.6	200.025	127	127	1	113	172	1.6	3.2	0.33	2	3	2	18.2
71426D/71750	107.95	190.5	101.6	98.425	1	121	171	1.6	3.2	0.42	1.6	2.4	1.6	11.8
946D/932	107.95	212.725	152.4	142.885	1	123	187	3.2	3.2	0.33	2.1	3.1	2	23.9
71450D/71750	114.3	190.5	101.6	98.425	1	125	171	1.6	3.2	0.42	1.6	2.4	1.6	11
HH224346D/HH224310	114.3	212.725	152.4	142.885	1	127	191	3.2	3.2	0.33	2.1	3.1	2	21.9
95474D/95925	120.65	234.95	152.4	139.7	1	146	212	6.4	3.2	0.37	1.8	2.7	1.8	28.1
48290D/48220	127	182.562	76.2	76.2	1	136	167	3.2	1.6	0.31	2.2	3.3	2.2	6.7

Bearing Numbers	Boundary dimensions(mm)				Design	Abutment and fillet dimensions(mm)				Value				Weight(kg)
	d	D	T	B		d _{a min}	D _{b max}	r _{b max}	r _{a max}	e	Y ₁	Y ₂	Y ₀	Refer
48290TD/48220	127	182.562	76.2	76.2	2	136	167	1.6	1.6	0.31	2.2	3.3	2.2	6.7
67388D/67322	127	196.85	92.075	92.075	1	145.8	180.1	3.2	1.6	0.34	1.96	2.92	1.92	10.4
67388D/67320	127	203.2	92.075	92.075	1	145.8	180.1	3.2	1.6	0.34	1.96	2.92	1.92	11.8
95499D/95925	127	234.95	152.4	139.7	1	147	212	5	3.3	0.37	1.8	2.7	1.8	26.7
EE153053D/153097	127	247	171.45	161.925	1	153.2	217.4	3.2	3.2	0.32	2.1	3.13	2.05	35.9
95499D/95975	127	247.65	152.4	139.7	1	150.6	204.3	3.2	5.2	0.37	1.83	2.72	1.79	32.4
EE153053D/153100	127	254	171.45	161.925	1	146	223	3.2	6.4	0.32	2.1	3.1	2.1	36.5
EE153053D/153101	127	258.763	171.45	161.925	1	153.2	217.4	6.4	3.2	0.32	2.1	3.13	2.05	41.6
EE153053D/153102	127	260.35	171.45	161.925	1	153.2	217.4	6.4	3.2	0.32	2.1	3.13	2.05	42.5
HH231637D/HH231610	127	288.925	158.75	149.225	1	172.1	252.1	6.4	13.2	0.32	2.12	3.15	2.07	50.9
HH231637D/HH231615	127	295.275	158.75	149.225	1	172.1	252.1	6.4	13.2	0.32	2.12	3.15	2.07	54.3
74510D/74850	130.005	215.9	123.825	123.825	1	145	195	3.2	1.6	0.49	1.4	2.1	1.4	17.2
74510D/74856	130.005	217.488	123.825	123.825	1	153.1	193.4	3.2	1.6	0.49	1.38	2.06	1.35	17.8
74512D/74850	130.175	215.9	101.6	101.6	1	145	195	1.6	3.2	0.49	1.4	2.1	1.4	14.7
74512D/74856	130.175	217.488	101.6	101.6	1	153.1	193.4	3.2	1.6	0.49	1.38	2.06	1.35	15
73512D/73875	130.175	222.25	53.975	60.579	1	160.8	197.9	3.2	3.6	0.44	1.54	2.3	1.51	9.38
67390D/67322	133.35	196.85	92.075	92.075	1	142	180	1.6	3.2	0.34	2	2.9	1.9	9.3
67390TD/67322	133.35	196.85	92.075	92.075	2	145.8	180.1	3.2	1.6	0.34	1.96	2.92	1.92	9.46
67392TD/67322	133.35	196.85	120.65	120.65	2	145.8	180.1	3.2	1.6	0.34	1.96	2.92	1.92	11.6
67390D/67320	133.35	203.2	92.075	92.075	1	145.8	180.1	3.2	1.6	0.34	1.96	2.92	1.92	10.9
67390TD/67320	133.35	203.2	92.075	92.075	2	145.8	180.1	3.2	1.6	0.34	1.96	2.92	1.92	10.9
67392TD/67320	133.35	203.2	120.65	120.65	2	145.8	180.1	3.2	1.6	0.34	1.96	2.92	1.92	13.5
95526TD/95925	133.35	234.95	152.4	139.7	2	150.6	204.3	3.2	1.6	0.37	1.83	2.72	1.79	25.6
95526TD/95975	133.35	247.65	152.4	139.7	2	150.6	204.3	3.2	1.6	0.37	1.83	2.72	1.79	30.9
48393D/48320	136.525	190.5	77.788	77.788	1	149.7	174.8	3.2	1.6	0.32	2.1	3.13	2.06	6.87
48393D/48328	136.525	203.2	77.788	77.788	1	149.7	174.8	3.2	1.6	0.32	2.1	3.13	2.06	9.22
74539TD/74850	136.525	215.9	123.825	123.825	2	153.1	193.4	3.2	1.6	0.49	1.38	2.06	1.35	15.9
74539TD/74856	136.525	217.488	123.825	123.825	2	153.1	193.4	3.2	1.6	0.49	1.38	2.06	1.35	16.4
H228649D/H228610	136.525	225.425	120.65	120.65	1	149	204	1.6	3.2	0.33	2	3	2	19
H228649TD/H228610	136.525	225.425	120.65	120.65	2	155.8	201.5	3.2	1.6	0.33	2.03	3.02	1.98	19.4
48680D/48620	139.7	200.025	75.408	77.788	1	151	185	0.8	3.2	0.34	2	3	2	7.9
73550D/73875	139.7	222.25	53.975	60.579	1	160.8	197.9	3.2	3.6	0.44	1.54	2.3	1.51	8.53
EE455048D/455116	139.7	295.275	171.45	165.1	1	162	256	3.2	6.4	0.31	2.2	3.3	2.2	55.4
HH234032D/HH234010	139.7	307.975	171.45	161.925	1	187.3	270.5	6.7	13.5	0.33	2.07	3.08	2.02	62.3
HH234032D/HH234018	139.7	317.5	171.45	161.925	1	187.3	270.5	6.7	13.5	0.33	2.07	3.08	2.02	68.1
48685TD/48620	142.875	200.025	74.613	77.788	2	155.1	182.5	3.2	0.8	0.34	2.01	2.99	1.96	7.58
81576D/81962	146.05	244.475	92.075	87.313	1	174.2	218.8	3.2	1.6	0.35	1.93	2.88	1.89	16.3
HH234040D/HH234018	146.05	317.5	171.45	161.925	1	180	279	13.5	6.8	0.33	2.1	3.1	2	62.7
82581TD/82931	147.638	236.538	133.334	132.351	2	165.7	211.2	3.2	1.6	0.44	1.53	2.27	1.49	21.7
82581TD/82950	147.638	241.3	133.334	132.351	2	165.7	211.2	3.2	1.6	0.44	1.53	2.27	1.49	23.6

EVERGLORY INDUSTRY CO., LIMITED

No. 29 Industrial Park North Road Wafangdian City Liaoning China

www.evergloryindustry.com

info@evergloryindustry.com

Tel / Whatsapp: 008613130008503



Bearing Numbers	Boundary dimensions(mm)				Design	Abutment and fillet dimensions(mm)				Value				Weight(kg)
	d	D	T	B		d _{a min}	D _{b max}	r _{b max}	r _{a max}	e	Y ₁	Y ₂	Y ₀	Refer
82587D/82931	149.225	236.538	105.347	106.363	1	160	213	1.5	3.2	0.44	1.5	2.3	1.5	17.5
82587TD/82931	149.225	236.538	105.347	106.363	2	165.7	211.2	3.2	1.6	0.44	1.53	2.27	1.49	17.9
82587D/82950	149.225	241.3	105.347	106.363	1	165.7	211.2	3.2	1.6	0.44	1.53	2.27	1.49	19.4
82587TD/82950	149.225	241.3	105.347	106.363	2	165.7	211.2	3.2	1.6	0.44	1.53	2.27	1.49	19.4
99587D/99100	149.225	254	120.65	120.65	1	171.1	223.5	3.2	1.6	0.41	1.66	2.47	1.62	26
M231649D/M231610	152.4	222.25	84.138	84.138	1	164	207	1.6	1.6	0.33	2	3	2	11.1
M231649TD/M231610	152.4	222.25	84.138	84.138	2	167.9	201.5	1.6	1.6	0.33	2.03	3.02	1.98	11
81601D/81962	152.4	244.475	92.075	87.312	1	167	225	1.6	3.2	0.35	1.9	2.9	1.9	15.3
81604TD/81962	152.4	244.475	119.063	120.651	2	175.4	218.8	3.2	1.6	0.35	1.93	2.88	1.89	19.5
99600TD/99100	152.4	254	120.65	120.65	2	171.1	223.5	3.2	1.6	0.41	1.66	2.47	1.62	25.3
99600D/99100	152.4	254	133.35	133.35	1	171.1	223.5	3.2	1.6	0.41	1.66	2.47	1.62	27.2
99603D/99100	152.4	254	158.75	158.75	1	165	230	1.6	3.2	0.41	1.7	2.5	1.6	29.6
99601TD/99100	152.4	254	158.75	158.75	2	171.1	223.5	3.2	1.6	0.41	1.66	2.47	1.62	31.1
EE517060D/517117	152.4	298.45	111.125	107.95	1	176	272	3.2	3.2	0.33	2	3	2	34.2
HH234049D/HH234010	152.4	307.975	171.45	161.925	1	187.3	270.5	6.7	9.5	0.33	2.07	3.09	2.03	58.2
HH234049D/HH234018	152.4	317.5	171.45	161.925	1	179	279	9.5	6.8	0.33	2.1	3.1	2	60.7
81603D/81962	152.781	244.475	92.075	87.313	1	174.2	218.8	3.2	1.6	0.35	1.93	2.88	1.89	15.1
H432549D/H432510	155.575	247.65	122.238	122.238	1	167	226	1.6	3.2	0.37	1.8	2.7	1.8	22.4
46780DR/46720	158.75	225.425	76.2	79.375	2	179	206.5	0.8	3.2	0.38	1.76	2.62	1.72	10.3
EE217063D/217112	158.75	285.75	125.413	128.588	1	182.2	245.7	3.2	6.4	0.4	1.68	2.5	1.64	35.3
EE217063D/217114	158.75	290.513	125.413	125.413	1	182.2	246.2	3.2	6.4	0.4	1.68	2.5	1.64	36.8
EE280625D/281200	158.75	304.8	114.3	109.438	1	207.2	271.3	3.2	6.4	0.36	1.87	2.79	1.83	37.5
46790D/46720	165.1	225.425	76.2	79.375	1	175	208	0.8	3.2	0.38	1.8	2.6	1.7	9.7
H234649TD/H234610	165.1	269.875	146.05	146.05	2	186.4	243.7	1.6	3.2	0.33	2.03	3.02	1.98	32.2
HM237542D/HM237510	174.625	288.925	123.825	123.825	1	190	266	1.6	3.2	0.32	2.1	3.2	2.1	31.3
94688TD/94113	174.625	288.925	158.75	158.75	2	201	255	1.6	3.2	0.47	1.44	2.15	1.41	40.2
94688TD/94118	174.625	298.45	158.75	158.75	2	201	255	1.6	3.2	0.47	1.44	2.15	1.41	45.6
EE590689TD/591350	174.625	342.9	190.5	187.325	2	208	285.7	3.2	6.4	0.49	1.37	2.04	1.34	77.6
67790D/67720	177.8	247.65	90.488	90.488	1	187	228	1.6	3.2	0.44	1.5	2.3	1.5	13.3
82680D/82622	177.8	273.05	112.713	112.71	1	196.9	251.3	1.6	3.2	0.52	1.29	1.92	1.26	22.7
82680D/82620	177.8	279.4	112.712	112.71	1	191	253	1.6	3.2	0.53	1.3	1.9	1.2	24.9
EE91700D/91112	177.8	285.75	106.363	106.36	1	200.6	251.8	1.6	3.2	0.43	1.57	2.34	1.53	26
HM237546D/HM237510	177.8	288.925	123.825	123.825	1	191	266	1.6	3.2	0.32	2.1	3.2	2.1	30.5
94706D/94113	177.8	288.925	123.825	123.825	1	192	261	1.6	3.2	0.47	1.4	2.1	1.4	32.1
HM237546DD/HM237510	177.8	288.925	158.75	158.75	1	191	266	1.6	3.2	0.32	2.1	3.2	2.1	36.7
94704D/94113	177.8	288.925	158.75	158.75	1	201	255	1.6	3.2	0.47	1.44	2.15	1.41	39.1
94706D/94118	177.8	298.45	123.825	123.825	1	192	265	1.6	3.2	0.47	1.4	2.1	1.4	36.3
94704D/94118	177.8	298.45	158.75	158.75	1	201	255	1.6	3.2	0.47	1.44	2.15	1.41	44.5
EE280700D/281200	177.8	304.8	114.3	109.438	1	207.2	271.3	1.6	3.2	0.36	1.87	2.79	1.83	33.1
HM237549TD/HM237510	180.975	288.925	158.75	158.75	2	200.9	260.1	1.6	3.2	0.32	2.12	3.15	2.07	35.9

EVERGLORY INDUSTRY CO., LIMITED

No. 29 Industrial Park North Road Wafangdian City Liaoning China

www.evergloryindustry.com

info@evergloryindustry.com

Tel / Whatsapp: 008613130008503



Bearing Numbers	Boundary dimensions(mm)				Design	Abutment and fillet dimensions(mm)				Value				Weight(kg)
	d	D	T	B		d _{a min}	D _{b max}	r _{b max}	r _{a max}	e	Y ₁	Y ₂	Y ₀	Refer
94713TD/94113	180.975	288.925	158.75	158.75	2	201	255	1.6	3.2	0.47	1.44	2.15	1.41	38
94713TD/94118	180.975	298.45	158.75	158.75	2	201	255	1.6	3.2	0.47	1.44	2.1	1.41	43.4
M238849D/M238810	187.325	269.875	101.6	101.6	1	206.4	245.5	1.6	3.2	0.33	2.03	3.02	1.98	19
H239649D/H239610	187.325	319.964	161.925	168.276	1	209	293	3.2	4.8	0.32	2.12	3.15	2.07	53.7
EE222074D/222126	187.325	319.964	161.925	168.275	1	211.9	280.4	3.2	4.8	0.4	1.68	2.5	1.64	53.8
H239649D/H239612	187.325	320.675	161.925	168.275	1	204	292	3.2	4.8	0.32	2.1	3.2	2.1	51.2
H239649D/H239612	187.325	320.675	161.925	168.275	1	211.3	286.3	3.2	4.8	0.32	2.12	3.15	2.07	51.9
EE222074D/222128	187.325	320.675	161.925	168.275	1	211.9	280.4	3.2	4.8	0.4	1.68	2.5	1.64	54.3
93751D/93125	190.5	317.5	133.35	133.35	1	216	288	6.4	3.2	0.52	1.3	1.9	1.3	43
93751D/93126	190.5	317.5	133.35	142.875	1	222.9	276.8	6.4	3.2	0.52	1.29	1.92	1.26	45
EE420750D/421437	190.5	365.049	152.4	158.75	1	221	329	3.2	3.2	0.4	1.68	2.5	1.64	72.8
EE420750TD/421437	190.5	365.049	152.4	158.75	2	238.7	317	3.2	3.2	0.4	1.68	2.5	1.64	77.2
EE420750D/421450	190.5	368.3	152.4	158.75	1	238.7	317	3.2	3.2	0.4	1.68	2.5	1.64	79.4
EE420750TD/421450	190.5	368.3	152.4	158.75	2	238.7	317	3.2	3.2	0.4	1.68	2.5	1.64	79.4
67980TD/67919	198.438	279.4	87.313	87.313	2	219.1	259.1	0.8	3.2	0.51	1.33	1.97	1.3	16.9
67980TD/67920	198.438	282.575	87.313	87.313	2	219.1	259.1	0.8	3.2	0.51	1.33	1.97	1.3	17.8
93788D/93125	199.975	317.5	133.35	133.35	1	221	288	6.4	3.2	0.52	1.3	1.9	1.3	40
93788D/93126	199.975	317.5	133.35	142.875	1	222.9	276.8	6.4	3.2	0.52	1.29	1.92	1.26	42
EE132081D/132125	203.2	317.5	95.25	95.25	1	235.4	285	3.2	3.2	0.31	2.15	3.21	2.11	28
93800D/93125	203.2	317.5	123.825	123.825	1	222	286	1.6	3.2	0.52	1.29	1.92	1.26	36.3
93801D/93125	203.2	317.5	133.35	133.35	1	222	288	6.4	3.2	0.52	1.3	1.9	1.3	39.1
93801D/93126	203.2	317.5	133.35	142.875	1	222.9	276.8	6.4	3.2	0.52	1.29	1.92	1.26	41
EE132081D/132127	203.2	319.088	95.25	95.25	1	235.4	285	3.2	3.2	0.31	2.15	3.21	2.11	28.6
EE420800D/421437	203.2	365.049	152.4	158.75	1	229	332	3.2	3.2	0.42	1.6	2.4	1.6	68.5
EE420801D/421437	203.2	365.049	158.75	158.75	1	237.5	317	3.2	3.2	0.4	1.68	2.5	1.64	73.1
EE420800D/421450	203.2	368.3	152.4	158.75	1	238.7	317	3.2	3.2	0.4	1.68	2.5	1.64	74.8
EE420801D/421450	203.2	368.3	158.75	158.75	1	237.5	317	3.2	3.2	0.4	1.68	2.5	1.64	75.4
67985D/67919	206.375	279.4	87.313	87.313	1	219.1	259.1	0.8	3.2	0.1	1.33	1.97	1.3	15.2
67985D/67920	206.375	282.575	87.313	87.313	1	216	261	0.8	3.3	0.51	1.3	2	1.3	16.8
H242649D/242610	206.375	336.55	184.15	180.975	1	222	306	1.5	3.3	0.33	2	3	2	64.2
H242649TD/H242610	206.375	336.55	184.15	180.975	2	232.1	300.1	1.6	3.2	0.33	2.03	3.02	1.98	65.1
93826TD/93125	209.55	317.5	184.15	184.15	2	222.9	278.4	1.6	3.2	0.52	1.29	1.92	1.26	48.3
93826TD/93126	209.55	317.5	184.15	193.675	2	222.9	276.8	1.6	3.2	0.52	1.29	1.92	1.26	50.2
EE430829TD/431575	210.769	400.05	212.725	158.75	2	250	344.6	3.2	3.2	0.44	1.54	2.29	1.5	98.7
LM742746TD/LM742710	214.975	285.75	92.075	85.725	2	226.2	265.2	1.6	3.2	0.48	1.4	2.09	1.37	15.3
LM742746TD/LM742714	214.975	288.925	92.075	85.725	2	226.2	265.2	1.6	3.2	0.48	1.4	2.09	1.37	16.3
LM742749D/LM742710	215.9	285.75	85.725	85.725	1	229	266	0.8	3.2	0.48	1.4	2.09	1.37	14.8
LM742749D/LM742714	215.9	288.925	85.75	85.725	1	228	265.2	0.8	3.2	0.48	1.4	2.09	1.37	15.8
EE130850D/131400	215.9	355.6	120.65	120.65	1	260.5	319.2	1.6	1.6	0.33	2.04	3.04	2	50
9977D/9920	216.103	330.02	142.875	152.4	1	232	301	3.2	3.2	0.55	1.2	1.8	1.2	43.2

EVERGLORY INDUSTRY CO., LIMITED

No. 29 Industrial Park North Road Wafangdian City Liaoning China

www.evergloryindustry.com

info@evergloryindustry.com

Tel / Whatsapp: 008613130008503



Bearing Numbers	Boundary dimensions(mm)				Design	Abutment and fillet dimensions(mm)					Value			Weight(kg)
	d	D	T	B		d _{a min}	D _{b max}	r _{b max}	r _{a max}	e	Y ₁	Y ₂	Y ₀	Refer
9974D/9920	216.103	330.2	127	130.175	1	236.8	300.7	1.6	3.2	0.55	1.22	1.82	1.19	38.8
H244849D/H244810	219.075	358.775	200.025	196.85	1	236	323	1.6	6.4	0.33	2	3	2	77.8
H244848TD/H244810	219.075	358.775	200.025	196.85	2	244.3	319.4	1.6	6.4	0.33	2.03	3.02	1.98	80.9
M244246TD/M244210	219.936	314.325	123.822	115.888	2	238.9	288.1	1.6	3.2	0.33	2.03	3.02	1.98	29.6
M244249D/M244210	220.662	314.325	115.888	115.888	1	233	292	1.6	3.2	0.33	2	3	2	29.6
EE130887D/131400	225.425	355.6	120.65	120.65	1	260.5	319.2	5.6	1.6	0.33	2.04	3.04	2	46.8
EE130888D/131400	225.425	355.6	165.1	165.1	1	251	329	8	1.5	0.33	2	3	2	57.7
8573TD/8520	228.6	327.025	93.663	93.663	2	255.5	299.9	1.6	3.2	0.41	1.66	2.47	1.62	25.9
8573TD/8522	228.6	328.625	93.663	93.663	2	255.5	299.9	1.6	3.2	0.41	1.66	2.47	1.62	26.5
EE130900D/131400	228.6	355.6	120.65	120.65	1	260.5	319.2	1.6	1.6	0.33	2.04	3.04	2	45.8
EE130901D/131400	228.6	355.6	120.65	120.65	1	260.5	319.2	5.6	1.6	0.33	2.04	3.04	2	45.8
EE130903D/131400	228.6	355.6	165.1	165.1	1	253	329	8	1.5	0.33	2	3	2	56.7
EE529091D/529157	228.6	400.05	139.7	139.7	1	256	367	3.2	3.2	0.31	2.18	3.24	2.13	74.2
EE430901D/431575	228.6	400.05	161.925	158.75	1	261.5	344.6	3.2	3.2	0.44	1.54	2.29	1.5	84.5
EE700090D/700167	228.6	425.45	165.1	177.8	1	259	384	3	6.4	0.33	2	3	2	110
8576D/8520	234.95	327.025	93.663	93.663	1	248	304	1.6	3.2	0.41	1.7	2.5	1.6	24.4
8576D/8522	234.95	328.625	93.663	93.663	1	255.5	299.9	1.6	3.2	0.41	1.66	2.47	1.62	24.8
EE130926TD/131400	234.95	355.6	165.1	158.75	2	259.4	319.2	1.6	1.6	0.33	2.04	3.04	2	54.2
EE130927TD/131400	234.95	355.6	184.15	184.15	2	260.5	319.2	1.6	1.6	0.33	2.04	3.04	2	60.4
H247549D/H247510	234.95	384.175	209.55	209.55	1	251	344	1.6	6.4	0.33	2	3	2	95.8
EE127094D/127135	241.224	349.148	107.95	107.95	1	267.2	319.1	1.6	3.2	0.35	1.91	2.84	1.86	34
EE127094D/127137	241.224	350.838	107.95	107.95	1	267.2	319.1	1.6	3.2	0.35	1.91	2.84	1.86	34.8
EE127094D/127138	241.224	355.498	107.95	107.95	1	267.2	319.1	1.6	3.2	0.35	1.91	2.84	1.86	36.9
EE127094D/127140	241.224	355.6	107.95	107.95	1	257	328	1.6	3.2	0.35	1.9	2.8	1.9	36.9
EE170951D/171400	241.3	355.6	92.862	92.71	1	277.7	327.8	1.6	3.2	0.36	1.86	2.77	1.82	32.6
EE170951D/171436	241.3	365.049	92.862	92.71	1	277.7	327.8	1.6	3.2	0.36	1.86	2.77	1.82	36.5
EE170951D/171450	241.3	368.3	92.862	92.71	1	277.7	327.8	1.6	3.2	0.36	1.86	2.77	1.82	37.8
EE127097D/127135	241.478	349.148	107.95	107.95	1	257	325	1.6	3.2	0.35	1.9	2.8	1.9	33.8
EE127097D/127137	241.478	350.838	107.95	107.95	1	267.2	319.1	1.6	3.2	0.35	1.91	2.84	1.86	34.7
EE127097D/127138	241.478	355.498	107.95	107.95	1	267.2	319.1	1.6	3.2	0.35	1.91	2.84	1.86	36.9
EE127097D/127140	241.478	355.6	107.95	107.95	1	267.2	319.1	1.6	3.2	0.35	1.91	2.84	1.86	36.9
LM247748D/LM247710	244.475	327.025	92.075	92.075	1	256	306	1.6	3.2	0.49	1.4	2.1	1.4	21.6
EE126096D/126150	244.475	381	146.05	146.05	1	269	343	3.2	4.8	0.52	1.31	1.95	1.28	61.4
EE220975D/221575	247.65	400.05	114.3	119.06	1	291.8	359.1	1.6	6.4	0.39	1.71	2.54	1.67	56.4
EE220977TD/221575	247.65	400.05	192.088	196.848	2	291.8	359.1	3.2	6.4	0.39	1.71	2.54	1.67	86.1
HH249949D/HH249910	247.65	406.4	219.075	215.9	1	268	366	3.2	6.4	0.33	2	3	2	115
HM252340D/HM252310	250.825	422.275	139.7	152.4	1	305.3	384.3	3.6	3.2	0.33	2.03	3.02	1.98	83
HM252340D/HM252315	250.825	431.724	139.7	145.258	1	305.3	384.5	3.6	3.6	0.33	2.03	3.02	1.98	88.5
M249746TD/M249710	252.413	358.775	139.7	130.175	2	274.8	330.1	1.6	3.2	0.33	2.03	3.02	1.98	43.5
EE171000D/171400	254	355.6	92.862	92.71	1	266	331	1.6	3.2	0.36	1.9	2.8	1.8	27.1

EVERGLORY INDUSTRY CO., LIMITED

No. 29 Industrial Park North Road Wafangdian City Liaoning China

www.evergloryindustry.com

info@evergloryindustry.com

Tel / Whatsapp: 008613130008503



Bearing Numbers	Boundary dimensions(mm)				Design	Abutment and fillet dimensions(mm)				Value				Weight(kg)
	d	D	T	B		d _{a min}	D _{b max}	r _{b max}	r _{a max}	e	Y ₁	Y ₂	Y ₀	Refer
M249748D/M249710	254	358.775	130.175	130.175	1	269	335	3.2	3.2	0.33	2	3	2	42
EE171000D/171436	254	365.049	92.862	92.71	1	277.7	327.8	1.6	3.2	0.36	1.86	2.77	1.82	32.9
EE171000D/171450	254	368.3	92.862	92.71	1	269	340	1.6	3.2	0.36	1.85	2.76	1.81	32.5
HM252343D/HM252310	254	422.275	139.7	152.4	1	305.3	384.3	3.6	3.2	0.33	2.03	3.02	1.98	81.6
HM252344D/HM252310	254	422.275	139.7	152.4	1	305.3	384.3	3.6	3.2	0.33	2.03	3.02	1.98	81.6
HM252342D/HM252310	254	422.275	152.4	152.4	1	303	384.3	6.7	3.2	0.33	2.03	3.02	1.98	83.7
HM252343D/HM252315	254	431.724	139.7	145.258	1	305.3	384.5	3.6	3.6	0.33	2.03	3.02	1.98	87.1
HM252342D/HM252315	254	431.724	152.4	145.258	1	303	384.5	6.7	3.6	0.33	2.03	3.02	1.98	89.2
738101D/738172	254	438.15	165.1	165.1	1	283	400	3.2	6.4	0.36	1.9	2.8	1.8	107
EE82101D/822175	254	444.5	133.35	133.35	1	283	400	3.2	6.4	0.36	1.9	2.8	1.8	107
EE134102D/134143	260.35	365.125	107.95	107.95	1	277	339	3.3	6.4	0.37	1.8	2.7	1.8	34.4
EE134102D/134145	260.35	368.3	107.95	107.95	1	282.9	334.7	3.2	6.4	0.37	1.8	2.69	1.76	35.9
EE221025D/221575	260.35	400.05	114.3	119.06	1	290	366	6.4	6.4	0.39	1.71	2.54	1.67	52
HM252347D/HM252310	260.35	422.275	139.7	152.4	1	305.3	384.3	3.6	3.2	0.33	2.03	3.02	1.98	78.8
HM252348D/HM252310	260.35	422.275	152.4	155.575	1	303.6	384.3	6.4	3.2	0.33	2.03	3.02	1.98	81.5
HM252349D/HM252310	260.35	422.275	152.4	155.575	1	303.6	384.3	6.4	3.2	0.33	2.03	3.02	1.98	81.5
HM252348DD/HM252310	260.35	422.275	180.975	152.4	1	298	384.3	9.5	3.2	0.33	2.03	3.02	1.98	84.5
HM252347D/HM252315	260.35	431.724	139.7	145.258	1	305.3	384.5	3.6	3.6	0.33	2.03	3.02	1.98	84.3
HM252349D/HM252315	260.35	431.724	152.4	148.433	1	303.6	384.5	6.4	3.6	0.33	2.03	3.02	1.98	87.1
HM252348D/HM252315	260.35	431.724	180.975	145.258	1	298	384.5	9.5	3.6	0.33	2.03	3.02	1.98	90
823103D/823175	260.35	444.5	196.85	196.85	1	292.8	396.6	6.4	3.2	0.55	1.24	1.84	1.21	125
EE221039TD/221575	263.525	400.05	196.848	192.088	2	291.8	359.1	1.6	6	0.39	1.71	2.54	1.67	76.7
M252345TD/M252310	264.98	381	146.05	136.525	2	289.1	350.8	3.2	3.2	0.33	2.03	3.02	1.98	51.4
LM451349D/LM451310	266.7	355.6	109.538	107.95	2	281	335	1.6	3.2	0.36	1.87	2.79	1.83	29.9
LM451349TD/LM451310	266.7	355.6	109.538	107.95	1	284.1	332	1.6	3.2	0.36	1.87	2.79	1.83	29.5
LM451349D/LM451312	266.7	357.2	109.538	107.95	1	284.1	332	1.6	3.2	0.36	1.87	2.79	1.83	30.2
LM451349TD/LM451312	266.7	357.2	109.538	107.95	2	284.1	332	1.6	3.2	0.36	1.87	2.79	1.83	30.2
EE275106D/275155	266.7	393.7	130.175	130.175	1	309	364.4	3.2	6.4	0.4	1.68	2.5	1.64	55.3
EE275106D/275158	266.7	403.225	130.175	122.24	1	309	365.4	3.2	6.4	0.4	1.68	2.5	1.64	59.4
EE275106D/275160	266.7	406.4	130.175	122.24	1	309	365.4	3.2	6.4	0.4	1.68	2.5	1.64	61.3
M252349D/M252310	269.875	381	136.525	136.525	1	287	356	3.2	3.2	0.33	2	3	2	48.6
M252349TD/M252310	269.875	381	136.525	136.525	2	290.9	350.8	1.6	3.2	0.33	2.03	3.02	1.98	48.5
EE275109D/275155	276.225	393.7	130.175	130.175	1	294	366	1.6	6.4	0.4	1.68	2.5	1.64	50.5
EE275109D/275158	276.225	403.225	130.175	122.24	1	309	365.4	1.6	6.4	0.4	1.68	2.5	1.64	55.3
EE275109D/275160	276.225	406.4	130.175	122.24	1	309	365.4	1.6	6.4	0.4	1.68	2.5	1.64	57.2
EE135111D/135155	279.4	393.7	127	127	1	297	368	1.6	6.4	0.4	1.68	2.5	1.64	48.1
HH255149D/HH255110	279.4	457.2	244.475	244.475	1	309	412	1.6	6.4	0.33	2.03	3.02	1.98	158
EE722111D/722185	279.4	469.9	166.688	169.862	1	313	431	6.4	3.3	0.38	1.8	2.7	1.7	119
EE722112D/722185	279.4	469.9	184.15	169.863	1	324.9	412.5	9.5	3.2	0.38	1.79	2.67	1.75	123
EE941106D/941950	279.4	495.3	134.938	137.952	1	349.3	440.5	1.6	3.2	0.4	1.68	2.5	1.64	114

EVERGLORY INDUSTRY CO., LIMITED

No. 29 Industrial Park North Road Wafangdian City Liaoning China

www.evergloryindustry.com

info@evergloryindustry.com

Tel / Whatsapp: 008613130008503



Bearing Numbers	Boundary dimensions(mm)				Design	Abutment and fillet dimensions(mm)				Value				Weight(kg)
	d	D	T	B		d _{a min}	D _{b max}	r _{b max}	r _{a max}	e	Y ₁	Y ₂	Y ₀	Refer
LM654645D/LM654610	279.578	380.898	117.475	117.475	1	296	355	1.6	3.2	0.43	1.6	2.3	1.5	41
EE128113TD/128160	280	406.4	206.375	206.375	2	307.1	368.9	3.2	3.2	0.39	1.75	2.61	1.71	85.1
EE128113D/128160	280	406.4	206.375	206.375	1	307.1	368.9	3.2	3.2	0.39	1.75	2.61	1.71	81.4
EE128114D/128160	280	406.4	206.375	206.375	1	307.1	368.9	3.2	3.2	0.39	1.75	2.61	1.71	81.4
EE128113TD/128161	280	409.981	206.375	206.375	2	307.1	368.9	3.2	3.2	0.39	1.75	2.61	1.71	81.4
EE128113D/128161	280	409.981	206.375	206.375	1	307.1	368.9	3.2	3.2	0.39	1.75	2.61	1.71	85.1
EE128114D/128161	280	409.981	206.375	206.375	1	307.1	368.9	3.2	3.2	0.39	1.75	2.61	1.71	85.1
LM654648D/LM654610	285.75	380.898	117.475	117.475	1	300	355	1.6	3.2	0.43	1.6	2.3	1.5	38.5
EE921126D/921850	285.75	469.9	142.875	138.928	1	333.5	429	1.6	3.2	0.29	2.31	3.44	2.26	97.5
EE921126D/921875	285.75	476.25	142.875	138.928	1	333.5	429	1.6	3.2	0.29	2.31	3.44	2.26	103
M255449D/M255410	288.925	406.4	144.463	144.463	1	310	379	3.2	3.2	0.34	2	2.98	1.96	58.1
M255449TD/M255410	288.925	406.4	144.463	144.463	2	315.6	373.9	3.2	3.2	0.34	2	2.97	1.95	61.4
EE330116D/330166	292.1	422.275	130.175	130.175	1	321	387.9	6.4	3.2	0.32	2.11	3.14	2.06	59.9
EE790117D/790221	292.1	558.8	285.75	285.75	1	359.8	487.9	3.2	6.4	0.4	1.71	2.54	1.67	318
LM757043TD/LM757010	295.275	406.4	203.2	203.2	2	319.5	376.1	1.6	3.2	0.44	1.53	2.28	1.49	69.4
HM256846TD/HM256810	297.523	422.275	160.338	150.813	2	322.1	388.3	3.2	3.2	0.34	2	2.98	1.96	68.5
EE329118D/329172	298.45	438.048	131.763	131.763	1	336.6	399.7	3.2	3.2	0.33	2.04	3.04	2	68.9
EE291176D/291749	298.45	444.5	107.95	111.125	1	344	403.5	7.9	3.2	0.38	1.79	2.66	1.75	61.1
EE291176D/291750	298.45	444.5	107.95	111.125	1	344	403.5	7.9	1.6	0.38	1.79	2.66	1.75	61.2
EE129119D/129172	299.974	438.048	134.938	133.35	1	338.1	400.5	3.2	4.8	0.4	1.68	2.5	1.64	68.7
HM256849D/HM256810	300.038	422.275	150.812	150.812	1	318	395	3.2	3.2	0.34	2	3	2	66.7
HM256849DA/HM256810	300.038	422.275	150.812	150.812	1	318	395	6.4	3.2	0.34	2	3	2	66.7
HH2568249D/HH2568210	303.213	495.3	263.525	263.525	1	341.5	441.7	3.2	6.4	0.33	2	3	2	212
HH258249TD/HH258210	303.213	495.3	263.525	263.525	2	341.5	441.7	3.2	6.4	0.33	2.03	3.02	1.98	207
M757447D/M757410	304.648	438.048	128.588	138.113	1	332.3	403.8	3.2	4.8	0.47	1.44	2.15	1.41	64.8
EE329117D/329172	304.648	438.048	131.762	131.762	1	324	408	3.2	3.2	0.33	2	3	2	66.3
EE129121D/129172	304.648	438.048	134.938	133.35	1	325	407	3.2	4.8	0.42	1.6	2.4	1.6	65.6
M757447DE/M757410	304.648	438.048	134.938	138.113	1	330.6	403.8	3.2	4.8	0.47	1.44	2.15	1.41	65.5
M257149D/M257110	304.8	419.1	130.175	130.175	1	322	392	1.6	6.4	0.33	2.03	3.02	1.98	53.1
EE111201D/111700	304.8	431.8	98.425	120.65	1	331.5	392.3	3.2	3.2	0.44	1.54	2.29	1.5	51.8
EE111201D/111725	304.8	438.15	98.425	120.65	1	331.5	392.3	3.2	3.2	0.44	1.54	2.29	1.5	55.9
EE291200D/291749	304.8	444.5	107.95	111.125	1	337	416	7.9	3.2	0.38	1.78	2.65	1.74	55.7
EE941206D/941950	304.8	495.3	134.938	137.952	1	329	455	1.5	3.2	0.4	1.7	2.5	1.7	103
EE724121D/724195	304.8	495.3	165.1	171.45	1	354.5	438.7	3.2	6.4	0.4	1.68	2.5	1.64	130
EE790119D/790221	304.8	558.8	285.75	285.75	1	341	506	3.2	6.4	0.39	1.7	2.5	1.7	307
M257248D/M257210	304.902	412.648	128.588	128.588	1	325	388	3.2	3.2	0.32	2.12	3.15	2.07	49
EE129124D/129172	304.902	438.048	212.725	196.85	1	334.8	400.5	3.2	4.8	0.4	1.68	2.5	1.64	93.5
M757449D/M757410	305	438.048	134.145	138.112	1	328	407	4	4	0.47	1.43	2.12	1.4	65.3
EE129123D/129172	305.003	438.048	134.938	133.35	1	325	407	3.3	4.8	0.42	1.6	2.4	1.6	65.4
HM858548D/HM858511	305.054	500	200	200	1	333	457	3.2	6.4	0.33	2	3	2	164

EVERGLORY INDUSTRY CO., LIMITED

No. 29 Industrial Park North Road Wafangdian City Liaoning China

www.evergloryindustry.com

info@evergloryindustry.com

Tel / Whatsapp: 008613130008503



Bearing Numbers	Boundary dimensions(mm)				Design	Abutment and fillet dimensions(mm)				Value				Weight(kg)
	d	D	T	B		d _{a min}	D _{b max}	r _{b max}	r _{a max}	e	Y ₁	Y ₂	Y ₀	Refer
LM258649D/LM258610	317.5	422.275	128.588	128.588	1	333	399	1.5	1.5	0.33	2.1	3.1	2	49.7
HM259049D/HM259010	317.5	447.675	158.75	158.75	1	335	418	3.3	3.3	0.33	2	3	2	79.6
EE526129D/526190	327.025	482.6	147.638	152.4	1	362	438.9	1.6	3.2	0.39	1.73	2.57	1.69	94.3
EE526131D/526190	330.2	482.6	147.638	152.4	1	362	43.9	1.6	3.2	0.39	1.73	2.57	1.69	92.4
HM261049D/HM261010	333.375	469.9	166.688	166.688	1	352	440	3.3	3.3	0.33	2	3	2	91.4
HM261049TD/HM261010	333.375	469.9	166.688	166.688	2	359.8	432.9	3.2	3.2	0.33	2.02	3	1.97	92.8
HM265032TD/HM265010	333.375	523.875	185.738	185.738	2	402.5	483.6	3.2	6.4	0.33	2.03	3.02	1.98	138
EE971355D/972100	342.9	533.4	146.05	139.7	1	372	497	3.2	3.2	0.33	2	3	2	114
EE536136D/536225	342.9	571.5	163.512	163.512	1	381	529	3.2	6.4	0.33	2	3	2	172
LM761649D/LM761610	343.052	457.098	122.238	122.238	1	361	432	1.5	3.2	0.48	1.4	2.1	1.4	54
HM262746TD/HM262710	344.091	488.95	184.15	174.625	2	375.3	450	3.2	3.2	0.33	2.02	3	1.97	108
EE161362D/161850	346.075	469.9	95.25	104.775	1	384.6	440.7	1.6	6.4	0.5	1.35	2.01	1.32	50.7
EE161362D/161900	346.075	482.6	95.25	104.775	1	384.6	440.7	1.6	6.4	0.5	1.35	2.01	1.32	58.4
EE161362D/161925	346.075	488.95	95.25	104.775	1	384.6	440.7	1.6	6.4	0.5	1.35	2	1.3	62
HM262749D/HM262710	346.075	488.95	174.625	174.625	1	366	457	3.2	3.2	0.33	2	3	2	104
HM262749TD/HM262710	346.075	488.95	174.625	174.625	2	377.1	450	3.2	3.2	0.33	2.02	3	1.97	105
M262449D/M262410	347.663	469.9	138.112	138.112	1	369	443	3.2	3.2	0.33	2.03	3.02	1.98	68
M262448TD/M262410	347.663	469.9	228.6	228.601	2	373.7	436.7	3.2	3.2	0.33	2.03	3.02	1.98	93.7
L163149D/L163110	355.6	444.5	114.3	112.713	1	369	423	1.6	3.2	0.31	2.2	3.3	2.1	41
LM263149D/LM263110	355.6	457.2	120.65	120.65	1	370	435	1.6	3.2	0.32	2.1	3.2	2.1	50.5
LM763449D/LM763410	355.6	482.6	128.588	133.35	1	375	453	1.6	3.2	0.47	1.43	2.14	1.4	67.4
M263349D/M263310	355.6	488.95	153.988	153.988	1	374	459	1.6	3.2	0.33	2.03	3.02	1.98	85.4
EE231401D/231975	355.6	501.65	111.125	127	1	382	472	1.6	3.2	0.44	1.53	2.28	1.5	75.3
EE231401D/232025	355.6	514.35	111.125	127	1	404.5	465.8	3.2	3.2	0.44	1.53	2.28	1.5	85.3
EE161403D/161850	356.387	469.9	101.6	104.75	1	382.7	440.7	1.6	6.4	0.5	1.35	2.01	1.32	47.3
EE161403D/161900	356.387	482.6	101.6	104.75	1	382.7	440.7	1.6	6.4	0.5	1.35	2.01	1.32	55
EE161403D/161925	356.387	488.95	101.6	104.75	1	382.7	440.7	1.6	6.4	0.5	1.35	2.01	1.32	58.9
HM265049D/HM265010	368.3	523.875	185.738	185.738	1	390	487	3.3	6.4	0.33	2	3	2	135
HM265049TD/HM265010	368.3	523.875	185.738	185.738	1	402.5	483.6	3.2	6.4	0.33	2.03	3.02	1.98	110
EE181454D/182350	368.3	596.9	158.75	165.1	1	470.6	535	6.4	6.4	0.4	1.7	2.5	1.6	188
EE321146D/321240	368.3	609.6	279.4	254	1	415.2	545	3.2	6.4	0.36	1.9	2.83	1.86	303
EE321146D/321245	368.3	622.3	279.4	254	1	415.2	545	3.2	6.4	0.36	1.9	2.83	1.86	327
HM266445D/HM266410	374.574	546.1	193.675	193.675	1	402	508	3.2	6.4	0.33	2	3	2	159
HM266446TD/HM266410	381.264	546.1	193.675	206.375	2	415.3	505	3.2	6.4	0.33	2.03	3.02	1.98	159
HM266449D/HM266410	384.175	546.1	193.675	193.675	1	407	508	3.3	6.4	0.33	2	3	2	150
HM266449TD/HM266410	384.175	546.1	193.675	193.675	2	417.7	505	3.2	6.4	0.33	2.03	3.02	1.98	155
EE234157D/234215	393.7	546.1	120.65	141.288	1	419	507	3.2	6.4	0.48	1.4	2.1	1.4	92.2
LM767745D/LM767710	393.7	546.1	138.113	138.113	1	418	510	1.6	6.4	0.48	1.42	2.11	1.38	97.4
EE234157D/234220	393.7	558.8	120.65	119.063	1	436.4	505	3.2	6.4	0.48	1.42	2.11	1.39	97.2
EE911576D/912400	400.05	609.6	142.875	157.163	1	462	555	3.6	6.4	0.38	1.76	2.62	1.72	161

EVERGLORY INDUSTRY CO., LIMITED

No. 29 Industrial Park North Road Wafangdian City Liaoning China

www.evergloryindustry.com

info@evergloryindustry.com

Tel / Whatsapp: 008613130008503



Bearing Numbers	Boundary dimensions(mm)				Design	Abutment and fillet dimensions(mm)				Value				Weight(kg)
	d	D	T	B		d _{a min}	D _{b max}	r _{b max}	r _{a max}	e	Y ₁	Y ₂	Y ₀	Refer
EE234161D/234215	406.4	546.1	120.65	141.288	1	423	507	1.6	6.4	0.48	1.4	2.1	1.4	84.7
LM767749D/LM767710	406.4	546.1	138.113	138.113	1	434.5	510	1.6	6.4	0.48	1.42	2.11	1.39	90.5
EE234161D/234220	406.4	558.8	120.65	119.063	1	436.4	50	1.6	6.4	0.48	1.42	2.11	1.39	89.8
EE285161D/285226	406.4	574.675	114.3	130.967	1	446.1	520	3.2	3.2	0.5	1.35	2.01	1.32	105
M268743TD/M268710	406.4	590.55	209.55	209.55	2	455.6	545	3.2	6.4	0.33	2.03	3.02	1.98	199
EE911603D/912400	406.4	609.6	149.225	157.163	1	460.7	555	3.6	6.4	0.38	1.76	2.62	1.72	158
EE261602D/262450	406.4	622.3	155.575	152.705	1	467.7	570	3.6	6.7	0.38	1.76	2.62	1.72	169
EE261602D/262500	406.4	635	155.575	152.705	1	467.7	570	3.6	6.7	0.38	1.76	2.62	1.72	184
EE623161D/623265	406.476	673.049	195.262	195.262	1	448	620	3.2	6.4	0.36	1.9	2.8	1.8	292
M667947D/M667911	409.575	546.1	161.925	161.925	1	431	510	1.6	6.4	0.43	1.6	2.3	1.6	110
M268746TD/M268710	413.677	590.55	225.425	209.55	2	452.6	545	3.2	6.4	0.33	2.03	3.02	1.98	195
M268749D/M268710	415.925	590.55	209.55	209.55	1	444	549	3.2	6.4	0.33	2.03	3.02	1.98	181
M268749TD/M268710	415.925	590.55	209.55	209.55	2	455.6	545	3.2	6.4	0.33	2.03	3.02	1.98	189
EE261650D/262450	419.1	622.3	155.575	152.705	1	452	580	3.6	6.7	0.38	1.8	2.6	1.7	168
EE261650D/262500	419.1	635	155.575	152.705	1	467.7	570	3.6	6.7	0.38	1.76	2.62	1.72	174
EE323166D/323290	419.227	736.448	406.4	406.4	1	463	662	6.4	6.4	0.37	1.8	2.7	1.8	775
EE328167D/328269	425.45	685.698	253.873	254	1	482.4	620	6.4	6.4	0.4	1.68	2.5	1.64	367
M270737TD/M270710	426.89	635	231.775	223.838	2	489	585	3.2	6.4	0.33	2.03	3.02	1.98	261
EE239171D/239225	431.8	571.5	130.175	133.35	1	450	542	1.6	3.2	0.38	1.8	2.6	1.7	92
LM869449D/LM869410	431.8	571.5	133.35	136.526	1	453	537	1.6	3.2	0.55	1.24	1.84	1.21	92.1
LM769349D/LM769310	431.8	571.5	161.925	161.925	1	453	534	6.4	3.2	0.44	1.52	2.26	1.49	112
EE931170D/931250	431.8	635	173.038	173.038	1	468	595	6.4	6.4	0.32	2.1	3.1	2.1	193
EE328172D/328269	431.902	685.698	253.873	254	1	482.4	620	6.4	6.4	0.4	1.68	2.5	1.64	359
EE736173D/736238	432.003	609.524	152.4	152.4	1	472.1	565	3.6	6.4	0.35	1.95	2.9	1.91	135
EE736173D/736237	432.003	609.524	152.4	161.925	1	472.1	560	3.6	6.4	0.35	1.95	2.9	1.91	139
M270746TD/M270710	442.674	635	239.713	23.838	2	487.5	585	3.2	6.4	0.33	2.03	3.02	1.98	244
M270747TD/M270710	446.204	635	223.838	231.775	2	489	585	3.2	6.4	0.33	2.03	3.02	1.98	237
M270749D/M270710	447.675	635	223.838	223.838	1	475	591	3.2	6.4	0.33	2	3	2	232
M270749TD/M270710	447.675	635	223.838	223.838	2	490.5	585	3.2	6.4	0.33	2.03	3.02	1.98	234
EE671798D/672873	457.073	730.148	196.85	203.2	1	515	660	1.6	6.4	0.39	1.72	2.57	1.69	315
EE925179D/925295	457.073	749.3	412.75	419.1	1	497	686	3.2	6.4	0.31	2.2	3.3	2.2	760
EE244181D/244235	457.2	596.9	130.175	133.35	1	475	565	1.6	3.2	0.4	1.7	2.5	1.6	96.9
L770849D/L770810	457.2	596.9	133.35	136.525	1	476	566	1.6	3.2	0.47	1.4	2.1	1.4	98.9
EE737179D/737260	457.2	660.4	155.575	155.572	1	500	600	3.2	6.4	0.37	1.8	2.69	1.76	175
EE671802D/672873	457.403	730.148	196.85	203.2	1	515	660	1.6	6.4	0.39	1.72	2.57	1.69	315
M272746TD/M272710	477.441	679.45	257.175	238.125	2	520	630	3.2	6.4	0.33	2.03	3.02	1.98	285
M272749TD/M272710	479.425	679.45	238.125	238.125	2	520	630	3.2	6.4	0.33	2.03	3.02	1.98	277
M272749D/M272710	479.425	679.45	238.125	238.125	1	506	635	3.3	6.4	0.34	2	3	1.9	290
M272647D/M272610	482.6	647.7	201.612	201.612	1	510	609	3.2	6.4	0.33	2.03	3.02	1.98	185
EE243193D/243250	489.026	634.873	152.4	152.4	1	525	595	3.2	3.2	0.35	1.9	2.9	1.8	130

EVERGLORY INDUSTRY CO., LIMITED

No. 29 Industrial Park North Road Wafangdian City Liaoning China

www.evergloryindustry.com

info@evergloryindustry.com

Tel / Whatsapp: 008613130008503



Bearing Numbers	Boundary dimensions(mm)				Design	Abutment and fillet dimensions(mm)				Value				Weight(kg)
	d	D	T	B		d _{a min}	D _{b max}	r _{b max}	r _{a max}	e	Y ₁	Y ₂	Y ₀	Refer
LM772749D/LM772710	489.026	634.873	153.988	153.988	1	508	602	3.2	3.2	0.47	1.4	2.1	1.4	125
M274149D/M274110	501.65	711.2	250.825	250.825	1	534	663	3.2	6.4	0.33	2.03	3.02	1.98	314
M274149TD/M274110	501.65	711.2	250.825	250.825	2	545	655	3.2	6.4	0.33	2.03	3.02	1.98	323
EE426198D/426330	505.181	838.2	266.7	266.7	1	580	755	6.4	9.5	0.48	1.41	2.1	1.38	590
EE531201D/531300	508	762	219.075	219.075	1	551	710	6.4	6.4	0.38	1.8	2.6	1.7	370
EE426201D/426330	508	838.2	266.7	266.7	1	580	755	6.4	9.5	0.48	1.41	2.1	1.38	585
EE426203D/426330	509.588	838.2	266.7	266.7	1	580	755	6.4	9.5	0.48	1.41	2.1	1.38	582
LM274449D/LM274410	514.35	673.1	203.2	203.2	1	540	636	3.2	6.4	0.33	2.03	3.02	1.98	189
M275346TD/M275310	517.657	736.6	277.813	258.763	2	560	680	3.2	6.4	0.33	2.03	3.02	1.98	369
M275349D/M275310	519.113	736.6	258.763	258.763	1	550	687	3.2	6.4	0.33	2	3	2	363
M275349TD/M275310	519.113	736.6	258.763	258.763	2	560	680	3.2	6.4	0.33	2.03	3.02	1.98	361
M276446TD/M276410	534.723	761.873	288.925	269.875	2	570	700	3.2	6.4	0.33	2.03	3.02	1.98	409
M276449D/M276410	536.575	761.873	269.875	269.875	1	567	710	3.2	6.4	0.33	2	3	2	409
EE522126D/523087	539.75	784.225	161.925	165.1	1	595	715	3.2	6.4	0.48	1.42	2.11	1.39	261
EE843220D/843290	558.8	736.6	155.575	155.575	1	585	699	3.2	6.4	0.34	1.98	2.94	1.93	177
LM377449D/LM377410	558.8	736.6	196.85	196.85	1	583	696	3.2	6.4	0.35	1.9	2.9	1.9	237
M278749D/M278710	571.5	812.8	285.75	285.75	1	603	759	3.2	6.4	0.33	2	3	2	502
LM778549D/LM778510G2	584.2	762	188.912	193.675	1	615	717	3.2	6.4	0.47	1.43	2.14	1.4	223
M280049D/M280010	595.313	844.55	296.863	296.863	1	630	790	3.2	6.4	0.33	2	3	2	558
EE649241D/649310	609.6	787.4	171.45	171.45	1	634	749	3.2	6.4	0.37	1.8	2.7	1.8	216
EE743241D/743320	609.6	812.8	190.5	190	1	660	755	3.2	6.4	0.33	2.06	3.06	2.01	271
M280349D/M280310G2	609.6	863.6	317.5	317.5	1	648	807	3.2	6.4	0.33	2.03	3.02	1.98	585
M281049D/M281010	635	901.7	317.5	317.5	1	675	843	3.2	6.4	0.33	2.03	3.02	1.98	641
M281649D/M281610G2	657.225	933.45	328.612	328.612	1	699	870	3.2	6.4	0.33	2.03	3.02	1.98	711
L281149D/L281110G2	660.4	812.8	176.212	176.212	1	684	789	3.2	6.4	0.33	2	3	2	195
LM281849D/LM281810G2	679.45	901.7	265.112	265.112	1	714	852	3.2	6.4	0.33	2.03	3.02	1.98	459
EE655271D/655345G2	685.8	876.3	168.275	171.45	1	717	831	3.2	6.4	0.42	1.61	2.4	1.58	247
LM282549D/LM282510	708.25	930.275	273.05	273.05	1	741	879	3.2	6.4	0.33	2.03	3.02	1.98	490
EE755281D/755360	711.2	914.4	149.225	149.225	1	744	873	3.2	6.4	0.38	1.77	2.64	1.73	243
M383240D/M383210	714.375	1016	339.725	339.725	1	756	953	3.2	6.4	0.35	1.9	2.9	1.9	924
M283449D/M283410	730.25	1035.05	365.125	365.125	1	790	960	3.2	6.4	0.33	2.03	3.02	1.98	1000
LM283649D/LM283610	749.3	990.6	293	293	1	786	936	3.2	6.4	0.33	2.03	3.02	1.98	606
M284148D/M284111	762	1066.8	352.425	365.125	1	819	996	3.2	6.4	0.33	2.03	3.02	1.98	968
M284249D/M284210	762	1079.5	381	381	1	810	1005	4.8	12.7	0.33	2.03	3.02	1.98	1097
M285848D/M285810	825.5	1168.4	409.575	409.575	1	890	1090	4.8	12.7	0.33	2.03	3.02	1.98	1440
LM286249D/LM286210	863.6	1130.3	323.85	323.85	1	901	1067	4.8	12.7	0.33	2	3	2	915
EE547341D/547480	863.6	1219.2	425.45	438.15	1	918	1135	4.8	12.7	0.33	2.03	3.02	1.98	1552
634356D/634510	901.7	1295.4	438.15	450.85	1	936	1190	4.8	12.7	0.35	1.9	2.9	1.8	2000
LM3287649D/LM287610	938.212	1270	400.05	400.05	1	990	1190	4.8	12.7	0.33	2.03	3.02	1.98	1444
LM287849D/LM287810	939.8	1333.5	463.55	463.55	1	996	1246	4.8	12.7	0.33	2	3	2	2170

EVERGLORY INDUSTRY CO., LIMITED

No. 29 Industrial Park North Road Wafangdian City Liaoning China

www.evergloryindustry.com

info@evergloryindustry.com

Tel / Whatsapp: 008613130008503

