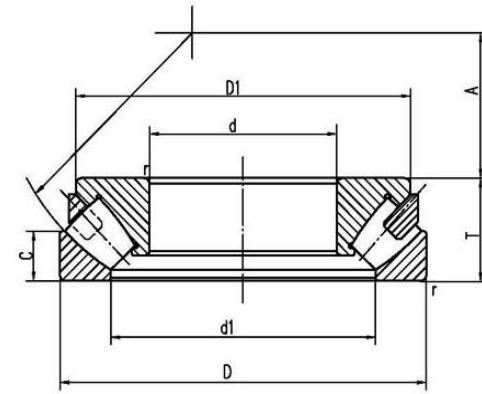


Thrust Spherical Roller Bearings



Bearing Numbers		Boundary dimensions(mm)									Basic load rating(kN)		Limiting speed(rpm)		Abutment and fillet dimensions(mm)			Weight(kg)
New	Old	d	D	H	$r_{1, 2min}$	d_1	D_1	B	C	S	Ca	Coa	Grease	Oil	$d_{a min}$	$D_{a max}$	$r_{a max}$	Refer
29320	9039320	100	170	42	1.5	152	128	26.2	20.8	58	410	1280	1500	2000	130	150	1.5	3.91
	9069420	100	210	67	3	190	146	45	32	62	590	860	1000	1400	150	175	2.5	10.5
29420	9039420	100	210	67	3	185	144	43	33	62	840	2400	1100	1600	150	175	2.5	10.5
	9069322	110	190	48	2	175	135	30	24	64	347	970	1100	1600				5.46
29322	9039322	110	190	48	2	175	143	16	23	64	530	1710	1300	1800	145	165	2	6.94
	9069422	110	230	73	2	195	150	43	35	69	545	1497	950	1400				12.8
29422	9039422	110	230	73	3	208	155.5	26	34.4	69	1010	2930	950	1400	165	190	2.5	18.1
	9069324	120	210	54	2.5	188	161	34	30	57	380	680	1000	1600	160	181	2	6.88
29324	9039324	120	210	54	2.1	187.5	156.5	34	27	70	645	2100	1100	1600	160	180	2	7.3
	9069424	120	250	78	4	222	181	48	38	74	720	1100	750	1100	180	209	3	19.5
29424	9039424	120	250	78	4	222	172	50.5	37	74	1160	3400	900	1300	180	205	3	17.1
	9069326	130	225	58	2.5	200	170	37	29	76	440	750	950	1500	175	194	2	8.26
29326	9039326	130	225	58	2.1	200	166	36.5	28	76	740	2450	1000	1500	170	195	2	8.48
	9069426	130	270	85	4	240	190	55	44	79	760	1100	700	1100	195	227	3	23

Bearing Numbers		Boundary dimensions(mm)									Basic load rating(kN)		Limiting speed(rpm)		Abutment and fillet dimensions(mm)			Weight(kg)
New	Old	d	D	H	r _{1, 2min}	d ₁	D ₁	B	C	S	Ca	Coa	Grease	Oil	d _{a min}	D _{a max}	r _{a max}	Refer
29426	9039426	130	270	85	4	246	183	31	39.7	81	1330	3900	850	1200	195	225	3	28.3
29328	9039328	140	240	60	2.1	216.5	179	38.5	30	82	840	2810	950	1400	185	205	2	10.4
	9069428	140	280	85	4	247	203	55	47	64	825	1120	670	950	205	236	3	22.7
29428	9039428	140	280	85	4	244.5	195.5	54	42	86	1370	4200	850	1200	205	235	3	22.2
29230	9039230	150	215	39	1.5		177				351	1560		1800				4.6
	9069330	150	250	60	2.1	220	185	36	31	87	525	1670		1200				10.2
29330	9039330	150	250	60	2.1	240	194	20	29	87	870	2900	950	1400	195	215	2	11.5
	9069430	150	300	90	4	270	220	60	48	69	995	1760	630	900	220	253	3	27.3
29430	9039430	150	300	90	4	266	206	58	44	92	1580	4900	800	1100	220	250	3	27.9
29232	9039232	160	225	39	1.5		188				362	1650		1700				4.8
	9069332	160	270	67	3	240	200	45	32	92	610	2240		1100				13.5
29332	9039332	160	270	67	3	243	203	42	33	92	1010	3400	850	1200	210	235	2.5	14.3
	9069432	160	320	95	5	275	234	61	53	74	1000	1720	560	800	235	270	4	33.3
29432	9039432	160	320	95	5	285	218.5	34	46.9	99	1740	5400	750	1000	230	265	4	32.8
29234	9039234	170	240	42	1.5		201				408	1900		1600				6
29334	9039334	170	280	67	3	260.3	216	43.5	31.7	96	1050	3500	850	1200	220	245	2.5	15.7
	9069434	170	340	103	5	310	243	71	48	104	1210	2200	530	750	250	286	3	40.7
29434	9039434	170	340	103	5	302	235	65.5	50	104	1680	5800	700	950	245	285	4	39.7
29236	9039236	180	250	42	1.5	239	209	15	21.3	97	420	2010	900	1600	215	227	1.5	7.05
	9069336	180	300	73	3	270	225	46	36	103	790	2731	630	900	235	262	2.5	18.3
29336	9039336	180	300	73	3	275	229	25	34.4	103	1230	4200	800	1100	235	260	2.5	19.9
	9069436	180	360	109	5	308	265	67	58	82	1210	2200	550	750	265	304	4	42.3
29436	9039436	180	360	109	5	326	249.5	39	51.2	110	1870	6500	670	900	265	304	4	64.2
	9069238	190	270	48	2	250	224	30	24	110	420	1746		1000				8
29238	9039238	190	270	48	2	255	226		25.5	103	518	2200		1400	225	243	2	8.7
29338	9039338	190	320	78	4	288.5	244	49	38	110	1370	4700	750	1000	250	275	3	23
29438	9039438	190	380	115	5	345	263	41	53.7	117	2100	7450	630	850	275	320	4	75.6
29240	9039240	200	280	48	2	266	236	15	24	108	540	2310		1400	235	255	2	8.5
	9069340	200	340	85	4									800				29.5
29340	9039340	200	340	85	4	306.5	257	53.5	41	116	1570	5450	700	950	265	295	3	28.5
	9069440	200	400	122	5	360	278	62	62	122	1740	6054		710				60.6
29440	9039440	200	400	122	5	360	267.5	44	56.7	122	2290	8150	600	800	290	335	4	83.5
	9069244	220	300	48	6	286	260	31	24	117	504	1932	850	1300	260	273	5	8
29244	9039244	220	300	48	6	285	254	15	24	117	560	2500		1300	260	275	5	9.2
	9069344	220	360	85	6	320	270	52	44	125	970	3768		800			5	32.5
29344	9039344	220	360	85	6	330	277.5	29	40.7	125	1340	5200	700	950	285	315	5	28.6
	9069444	220	420	122	6	400	330	78	59	142	1830	6624		710	335	378	5	74.5
29444	9039444	220	420	122	6	385	308	43	58	132	2350	8650	560	750	310	355	5	74
29248	9039248	240	340	60	2.1	325	283	19	30	130	800	3450		1100	285	305	2	16.5
	9069348	240	380	85	4	340	290	52	44	135	1320	4250		800				33.8
29348	9039348	240	380	85	4	360	298.5	29	41	135	1360	5400	670	900	300	330	3	35.5
	9069448	240	440	122	6	380	310	62	62	142	1920	7160	550	750				74.5
29448	9039448	240	440	122	6	400	316	43	60	142	2420	9100	560	750	330	375	5	96.1
	9069252	260	360	60	2.1	335	302	38	30	139	645	2880	530	750	310	326	2	15.7
29252	9039252	260	360	60	2.1	345	302	19	30	139	855	3850		1100	305	325	2	18
	9069352	260	420	95	5	370	315	60	46	148	1420	5850		710				45.6
29352	9039352	260	420	95	5	392.3	327.5	70.9	46	148	1700	7500	600	800	330	365	4	50.2

EVERGLORY INDUSTRY CO., LIMITED

No. 29 Industrial Park North Road Wafangdian City Liaoning China

www.evergloryindustry.com

info@evergloryindustry.com

Tel / Whatsapp: 008613130008503



Bearing Numbers		Boundary dimensions(mm)									Basic load rating(kN)		Limiting speed(rpm)		Abutment and fillet dimensions(mm)			Weight(kg)
New	Old	d	D	H	r _{1, 2min}	d ₁	D ₁	B	C	S	Ca	Coa	Grease	Oil	d _{a min}	D _{a max}	r _{a max}	Refer
	9069452	260	480	132	6	415	335	80	66	154	2120	8220		630				91.8
29452	9039452	260	480	132	6	445	346	86	63	154	2820	10700	500	670	360	405	5	101.5
29256	9039256	280	380	60	2.1	365	323	19	30	150	885	4100	700	1000	325	345	2	21.7
	9069356	280	440	95	5	413	348	64	46	158	1560	6120	530	750	355	390	4	49.1
29356	9039356	280	440	95	5	410	348	32	46	158	1830	7650	600	800	350	390	4	52.2
	9069456	280	520	145	6	450	365	75	72	166	2600	9860		630				115
29456	9039456	280	520	145	6	480	384	104	68	160	3400	13100	480	630	390	440	5	134
29260	9039260	300	420	73	3	400	353	21	38	162	1160	5150		900	355	380	2.5	30
	9069360	300	480	109	5	425	365	58	52	168	1870	7650		630				61.4
29360	9039360	300	480	109	5	450	379	37	50	168	2190	9100	530	700	380	420	4	74
29460	9039460	300	540	145	6	500	402	52	70	175	3500	13700	450	600	410	460	5	140
29264	9039264	320	440	73	3	420	372	21	38	172	1190	5450		850	375	400	2.5	32.5
	9069364	320	500	109	5	445	385	68	55	180	2030	7960		560				73.4
29364	9039364	320	500	109	5	463	394	83.4	52.3	180	2230	9400	500	670	400	440	4	75.7
	9069464	320	580	155	7.5	500	410	95	75	191	2930	11660						171
29464	9039464	320	580	155	7.5	555	436	108	75	191	3650	14600	430	560	435	495	6	178
	9069268	340	340	73	3	438	388	48	36	204	1150	2550	530	750	400	422	2.5	31.4
29268	9039268	340	460	73	3	440	395	21	37	183	1230	5750		850	395	420	2.5	33.5
	9069368	340	540	122	5	480	410	74	62	192	2710	11000						94.9
29368	9039368	340	540	122	5	510	428	41	59	192	2640	11200		600	430	470	4	103
29468	9039468	340	620	170	7.5	560	449.5	61	80	201	4400	17400	380	500	465	530	6	218
29272	9039272	360	500	85	4	480	423	25	44	194	1550	7300		750	420	455	3	51
29372	9039372	360	560	122	5	525	448	41	59	202	2670	11500		600	450	495	4	107
	9069472	360	640	170	7.5	555	460	87	85	210	3790	15440		450				199
29472	9039472	360	640	170	7.5	580	474	63	83.5	210	5200	21000		500	485	550	6	230
29276	9039276	380	520	85	4	496	441	27	42	202	1620	7800		700	440	475	3	52
29376	9039376	380	600	132	6	561	475	44	61.4	216	3300	14200		530	480	525	5	129
29476	9039476	380	670	175	7.5	610	494	120	87.5	222	5800	24000		480	510	575	6	260
	9069280	400	540	85	4	500	450	55	42	212	1260	7060						49
29280	9039280	400	540	85	4	510	460	27	42	212	1640	8000	500	700	460	490	3	65
	9069380	400	620	132	6	555	475	81	65	225	2860	12200						134
29380	9039380	400	620	132	6	582	489	44	64.7	225	3250	14500	440	620	500	550	5	153
	9069480	400	710	185	7.5	659	547	112	96	236	4450	19200						272
29480	9039480	400	710	185	7.5	645	525	67	89.5	234	6350	26100		450	540	610	6	310
	9069284	420	580	95	5	548	489	62	46	251	1880	5300		560	500	525	4	78.9
29284	9039284	420	580	95	5	553	489	30	46	225	2010	9800		630	490	525	4	72
29384	9039384	420	650	140	6	610	514.5	48	68	235	3600	16000	420	600	525	575	5	175
29484	9039484	420	730	185	7.5	665	545	67	90.5	244	6650	27500		430	560	630	6	323
29288	9039288	440	600	95	5	575	508	30	49	235	2030	10100		630	510	545	4	77
29388	9039388	440	680	145	6	626	540	49	70.5	245	4250	16700		480	550	600	5	180
29488	9039488	440	780	206	9.5	710	577	74	101	260	7550	32000		380	595	670	8	410
29488/HV		440	780	206	9.5	660	588	110	100	260	7880	34000			595	670	8	346.6
29292	9039292	460	620	95	5	590	525.5	30	49.4	245	2060	10300	400	600	530	570	4	75
29392	9039392	460	710	150	6	666	567	51	72	257	4100	18400		450	575	630	5	210
29492	9039492	460	800	206	9.5	765	608	74	100	272	6900	28300		380	615	690	8	420
	9069296	480	650	103	5	600	540	65	50	259	1950	10500						89.4
29296	9039296	480	650	103	5	624	556	33	55	259	2370	12100		560	555	595	4	97

EVERGLORY INDUSTRY CO., LIMITED

No. 29 Industrial Park North Road Wafangdian City Liaoning China

www.evergloryindustry.com

info@evergloryindustry.com

Tel / Whatsapp: 008613130008503



Bearing Numbers		Boundary dimensions(mm)									Basic load rating(kN)		Limiting speed(rpm)		Abutment and fillet dimensions(mm)			Weight(kg)
New	Old	d	D	H	r _{1, 2min}	d ₁	D ₁	B	C	S	Ca	Coa	Grease	Oil	d _{a min}	D _{a max}	r _{a max}	Refer
29396	9039396	480	730	150	6	690	590	51	72	270	4150	19000		450	595	650	5	215
29496	9039496	480	850	224	9.5	810	638	81	108	280	7200	31000		340	645	730	8	545
	90692/500	500	670	103	5	620	560	60	50	268	2050	1080						92
292/500	90392/500	500	670	103	5	645	574	33	55	268	2390	12400	380	560	575	615	4	100
	90693/500	500	750	150	6	705	611	98	71	280	3550	1720						211
293/500	90393/500	500	750	150	6	715	611	51	74	280	4350	20400	340	520	615	670	5	220
	90694/500	500	870	224	9.5	760	630	140	110	290	6290	27340						520
294/500	90394/500	500	870	224	9.5	790	648	81	107	290	7850	33000	320	460	670	750	8	589
	90692/530	530	710	109	5													117
292/530	90392/530	530	710	109	5	680	604	69.5	54	288	2620	15300	350	530	620	655	4	118
293/530	90393/530	530	800	160	7.5	760	648	54	76	295	5050	23300		400	655	710	6	284
	90694/530	530	920	236	9.5	840	700	145	116	309	8386	32600						573
294/530	90394/530	530	920	236	9.5	880	696	85	114	310	8550	37000		320	715	790	8	660
	90692/560	560	750	115	5	695	625	72	58	300	2430	13300						127
292/560	90392/560	560	750	115	5	732	644	37	61	302	2990	17900	360	480	655	685	4	140
293/560	90393/560	560	850	175	7.5	810	687	59	85	310	5700	26700		360	695	750	6	354
294/560	90394/560	560	980	250	12	935	744	91	124	325	9600	42000		300	755	835	10	800
294/560/HV		560	980	250	12	830	727	142	122	328	12000	51000						674
292/600	90392/600	600	800	122	5	772	688	39	58	321	3300	17800		450	690	735	4	169
293/600	90393/600	600	900	180	7.5	840	720	65	89	340	6330	33700		340	755	810	6	400
	90694/600	600	1030	258	12	900	750	156	130	360	9860	38500						700
294/600	90394/600	600	1030	258	12	985	780	93	127	345	10100	43000		280	800	885	10	895
	90692/630	630	850	132	6	800	728	86	65	338	3450	19800		300	740	780	5	188
292/630	90392/630	630	850	132	6	810	723	50	62	338	4770	24200		400	740	780	5	210
293/630	90393/630	630	950	190	9.5	880	761	68	92	359	8450	40300		320	795	860	8	485
294/630	90394/630	630	1090	280	12	1040	830	100	136	365	11600	51500		260	845	935	10	1100
294/630EM		630	1090	280	12	995	815	179	137	365								989
	90692/670	670	900	140	6	830	750	86	70	365	3670	20280						218
292/670	90392/670	670	900	140	6	880	773	45	73	361	4200	25500		380	790	825	5	255
293/670	90393/670	670	1000	200	9.5	935	804	73	98	379	7360	39600		300	840	900	8	545
294/670	90394/670	670	1150	290	15	1090	870	105	140	385	12500	56000		240	895	990	12	1250
	90692/710	710	950	145	6	895	805	92	75	380	3600	12000		240	820	880	5	279
292/710	90392/710	710	950	145	6	900	815	46	71	380	5230	27500		360	830	875	5	290
293/710	90393/710	710	1060	212	9.5	985	855	74	103	404	9950	45500		280	890	960	8	660
294/710	90394/710	710	1220	308	15	1160	920	132	148	407	14300	65500		220	950	1050	12	1500
292/750	90392/750	750	1000	150	6	950	858	52	74	409	5870	33700			880	925	5	325
293/750	90393/750	750	1120	224	9.5	1086	910	76	109	415	9370	51000			935	1000	8	770
	90694/750	750	1280	315	15	1152	972	160	158	448	14340	58600			1015	1120	12	1340
294/750	90394/750	750	1280	315	15	1220	970	128	152	429	15100	69000			995	1105	12	1680
	90692/800	800	1060	155	7.5	985	890	80	80	475	5635	28870						323
292/800	90392/800	800	1060	155	7.5	1010	907.5	50	80	426	6350	33700			935	980	6	343
293/800	90393/800	800	1180	230	9.5	1146	965	78	111	440	9950	56100			995	1060	8	865
294/800	90394/800	800	1360	335	15	1300	1030	121	162	445	16600	77500			1060	1175	12	2010
294/800A		800	1360	335	15	1160	1034	185	165	462	20200	93000						1658
292/850	90392/850	850	1120	160	7.5	1060	967	47	82	455	6730	37400			980	1030	6	425
293/850	90393/850	850	1250	243	12		1024				11100	61600						1000
294/850	90394/850	850	1440	354	15	1250	1034	142	172	507	18700	99000			1160	1270	12	2350



EVERGLORY INDUSTRY CO., LIMITED

No. 29 Industrial Park North Road Wafangdian City Liaoning China

www.evergloryindustry.com

info@evergloryindustry.com

Tel / Whatsapp: 008613130008503

Bearing Numbers		Boundary dimensions(mm)									Basic load rating(kN)		Limiting speed(rpm)		Abutment and fillet dimensions(mm)			Weight(kg)
New	Old	d	D	H	r _{1, 2min}	d ₁	D ₁	B	C	S	Ca	Coa	Grease	Oil	d _{a min}	D _{a max}	r _{a max}	Refer
292/900	90392/900	900	1180	170	7.5		1023				6330	40900						
294/900	90394/900	900	1520	372	15	1450	1164	135	185	520	22200	121000			1190	1315	12	2760
292/950	90392/950	950	1250	180	7.5	1185	1081	58	88	507	8280	46600			1095	1155	6	600
294/950	90394/950	950	1600	390	15	1470	1209	153	191	546	28200	13200			1275	1400	12	3065
292/1000	90392/1000	1000	1320	190	9.5		1139				7990	52800						710
293/1000	90393/1000	1000	1460	276	12	1365	1192	100	137	561	14400	82500			1245	1330	10	1550
	90692/1060	1060	1400	206	9.5	1300	1180	128	103	566	7800	48000						824
292/1060	90392/1060	1060	1400	206	9.5	1335	1208	66	100	566	10500	59400			1225	1290	8	767
292/1180	90392/1180	1180	1520	206	9.5	1450	1331	83	101	625	10900	64000			1345	1410	8	950
293/1250	9039/1250	1250	1800	330	12	1685	1474	147	161	698	24800	129000			1540	1640	10	2770
293/1600	9039/1600	1600	2280	408	19	2130	1885	166	195	894	36800	200000			1955	2090	15	5375



EVERGLORY INDUSTRY CO., LIMITED

No. 29 Industrial Park North Road Wafangdian City Liaoning China

www.evergloryindustry.com

info@evergloryindustry.com

Tel / Whatsapp: 008613130008503